



QYP070C1C2

Specification

Ver. #: 1. 10

2026. 01



QIYANG TECHNOLOGY Co., Ltd

Copyright Reserved

**Disclaimer**

This manual is copyrighted by Zhejiang Qiyang Intelligent Technology Co., Ltd. It cannot be copied in any way without permission. The content of this manual does not represent company's commitment. Due to our continuous improvement of products, our company reserves the right to change this manual without prior notice. We are not responsible for any direct, indirect, intentional or unintentional damage and hidden dangers caused by improper installation and use.

◆ Warranty Clauses:

The warranty period of the product is 12 months. If the user has other requirements, the contract signed by both parties shall prevail.

◆ Trademark

All trademarks used in this manual are owned by their respective trademark owners.

Safety Tips

1. Before using the product, please read the safety manual carefully and keep it properly for future reference.
2. Before you supply power to the equipment, please confirm whether the power supply voltage meets the equipment requirements.
3. To avoid electric shock or product damage, please unplug the power cord from the socket before cleaning the equipment with a wet rag.
4. Please do not use liquid or decontamination spray to clean the equipment.
5. Please do not allow any liquid to flow in or splash into the equipment to avoid short circuit or fire.
6. For the equipment that uses power cables, there must be a power socket that is accessible easily.
7. Please do not open the cover to use the equipment in humid environment.
8. Please ensure that the equipment is placed on a reliable plane before installation. Accidental drop or overturn may lead to equipment failure or damage.
9. Before connecting or removing any signal lines, make sure that all power cords have been unplugged in advance.
10. In order to avoid unnecessary damage to the product caused by frequent on and off, after turning off the machine, it should wait at least 30 seconds before turning on the machine again.
11. If you do not use the device for a long time, disconnect the power cord to prevent the device from being damaged by instantaneous voltage.
12. If you want to upgrade or disassemble, you must complete all operations on the electrostatic discharge workbench, because some precision devices are sensitive to electro-static discharge (ESD).
13. Please do not open or disassemble the equipment by yourself. For safety reasons, the equipment can only be opened by professional maintenance personnel.

Contents

Disclaimer 2

Safety Tips..... 3

Contents..... 4

Product Introduction..... 4

 1.1 Introduction 5

 1.2 Product Specification 5

 1.4 Interface Description 8

 1.5 Installation Method 10

Transportation and Storage 12

 2.1 Transportation..... 12

 2.2 Storage 12

 2.3 Unpacking and Inspection of Delivered Devices 13

Installation Instructions 14

 3.1 Product Appearance..... 14

 3.2 Appearance & Installation Drawing..... 15

Application Area..... 15

Shipping List..... 16

Product Introduction

1.1 Introduction

QYL070C1C2 is a series of all-in-one products, based on ARM Quad-Core CPU 32-bit, low power consumption, no fan design.

This product adopts 7 inch screen, all-metal shell, embedded frame design, stable structure, integrated with variety of communication ports, and it support 4G(cat1 or cat4) mobile cellular module ,Android 7.1, stable, safe and reliable, supporting wall mounted and pit mounted.

This product suits for consumer, environmental protection, light industry, medical treatment and other industries.

Version Record

Version No.	Hardware Platform	Description	Date	Revised by
1.0	RK3288	Initial version	2023-06	MaoH
1.1	RK3288	Modify the pin definition to match the shell's silkscreen	2026-01	MaoH

1.2 Product Specification

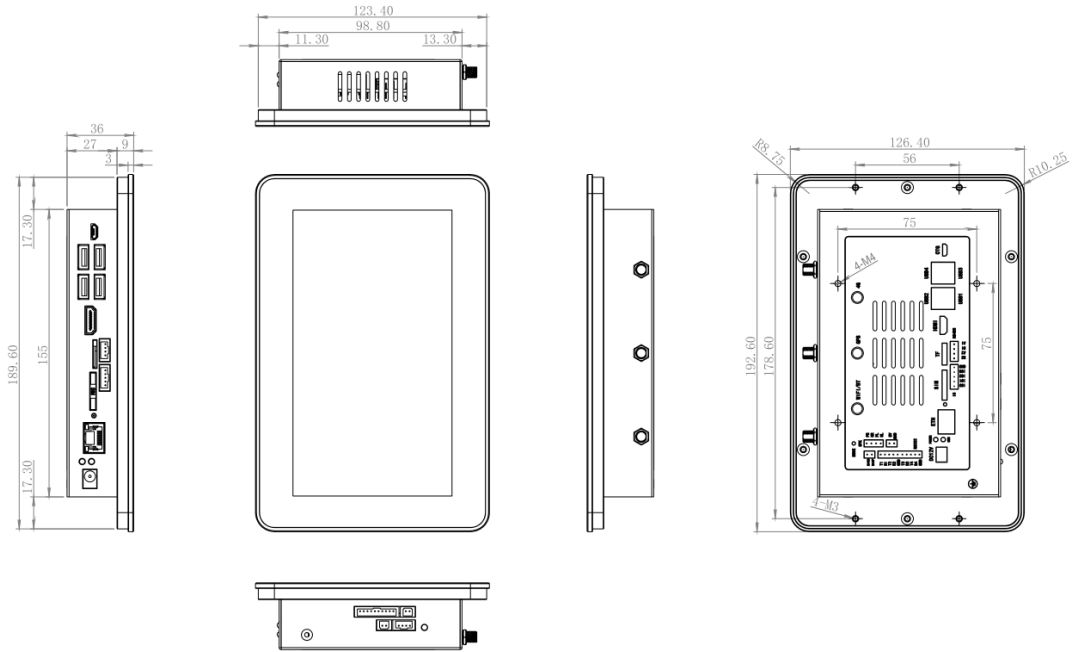
Screen	Size	7 inches, full viewing angle
	Resolution	1024*600 IPS
	Brightness	500 CD/M ²
	Touch	Capacitive touch screen
Performance Parameter	SOC	RockChip RK3288-W
	CPU	Quad-core Cortex-A17 processor, clocked at 1.8GHz
	GPU	Mali-T764 GPU, support AFBC (frame buffer compression) Support OpenGL ES1.1/2.0/3.0, OpenCL, Directx9.3

		Embedded high-performance 2D acceleration hardware
	VPU	Support 4K 10bits H265/H264 video decoding 1080P multi-format video decoding (VC-1, MPEG-1/2/4, VP8) 1080P video encoding, support H.264, VP8 format
	RAM	2GB DDR3
	ROM	8GB eMMC, compatible with 16GB eMMC/32GB eMMC
	Wireless Network	2.4GHz/5GHz Wi-Fi, support 802.11 b/g/n protocol, frequency from 2400-2500MHz 5725-5850MHz Support BT4.2
	Wired Network	10/100Mbps adaptive Ethernet
	Speaker	8Ω5W
	RTC	Support
	Watchdog	Hardware Watchdog
	UART	RS232x4, baud rate supports 9600bps~115200bps, multiplexed with 2-ch RS485 RS485x2, baud rate supports 9600bps~115200bps, multiplexed with RS232
Optional Modules	MIC	Digital audio microphone (optional)
	Speaker	8Ω2W/5W speaker (Optional)
	4G CAT1	Support 4G CAT1 full Netcom (Optional)
	4G LTE	Support 4G LTE full Netcom (Optional), additional 4G module is required
Hardware Connector	Power Connector	DC 5.5mm*2.1mm (DC9~30V Input)
	GPIO	WAFER PH2.0mm spacing-5Pin (TTL 0~3.3V, no isolation)
	Ethernet interface	RJ45 10/100Mbps Ethernet
	USB Interface	USB 2.0 HOSTx4; USB 2.0 OTGx1
	RS232	WAFER PH2.0mm spacing-10Pin (RS232x4)
	RS485	WAFER PH2.0mm spacing-4Pin (RS485x2)
	SIM Slot	Drawer type ,SIM card slot
	Indicator	Power Indicator x1 (Red), System Operation Indicator x1 (Green).
	Line In.	WAFER PH2.0mm spacing-2Pin (MIC x 1)
	Line Out.	WAFER PH2.0mm spacing-4Pin (SPEAK x 1)
	HDMI	Comply with HDMI 2.0
	Button	User MODE button x 1
	SD Card	Micro SD x1
System Software	Operation System	Android7.1
	OTA Upgradation	YES

Electrical Characteristics	Power In	DC12V-3.3A
	Operational Temperature	-10℃ ~ +60℃
	Storage Temperature	-20℃ ~ +70℃
	Humidity	5%~95%, Non-condensing
	Power consumption	About 10W
Others	Size	192.6mm x 126.4mm x 36mm
	Weight	1Kg
	Material	Galvanized sheet + aluminum profile
	Protection Level	IP50 protection design of the whole machine
	Installation Mode	Flush installation, wall installation, bracket installation

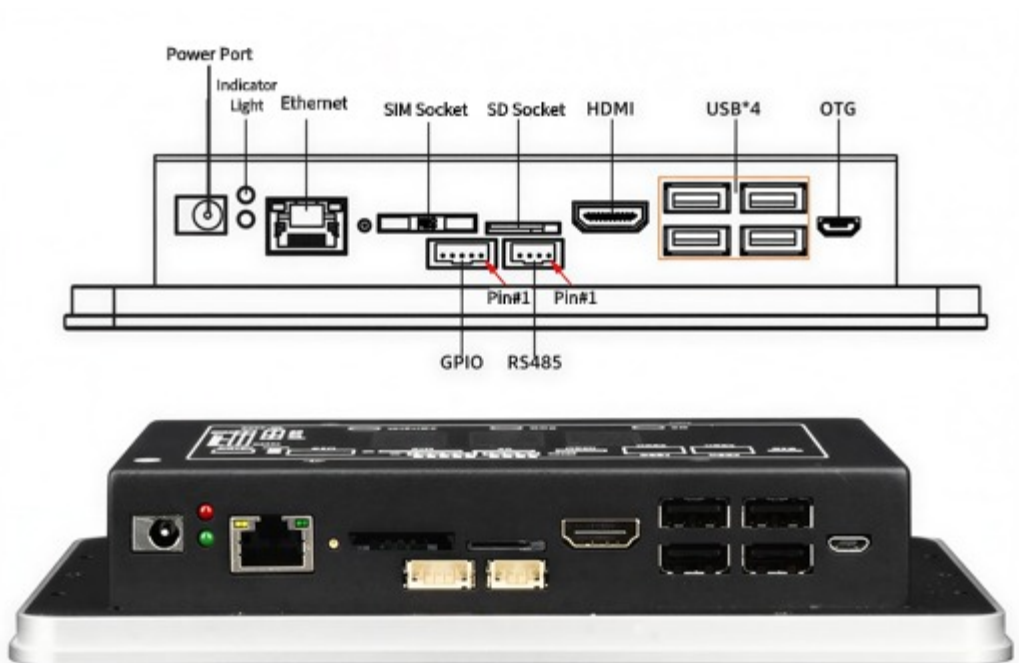
1.3 Structure & Size

- **Size:** 192.6mm x 126.4mm x 36mm

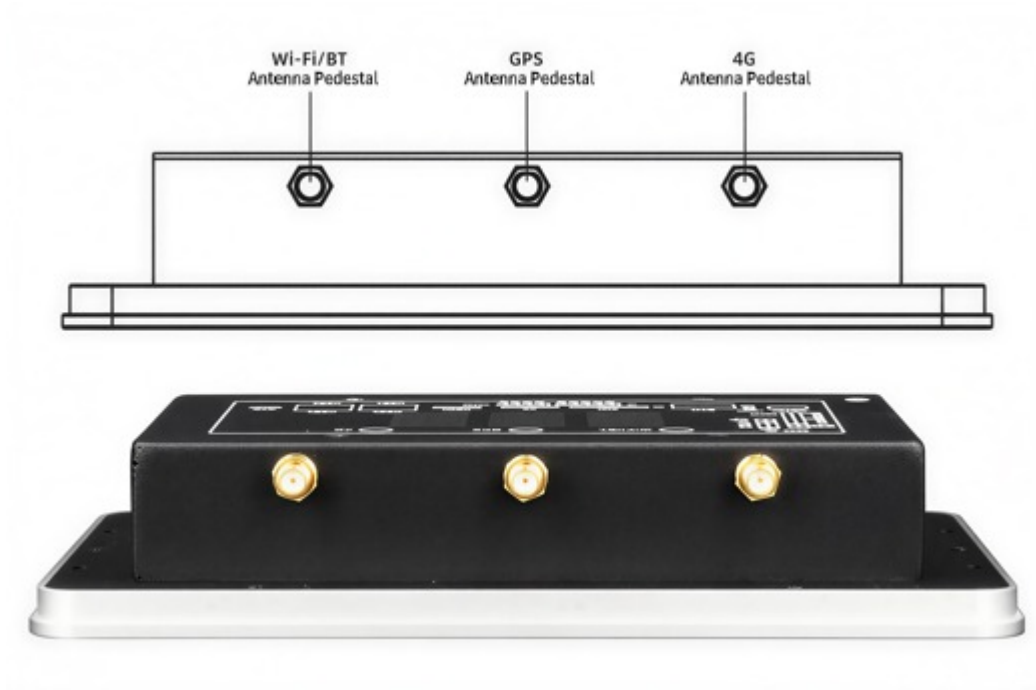


1.4 Interface Description

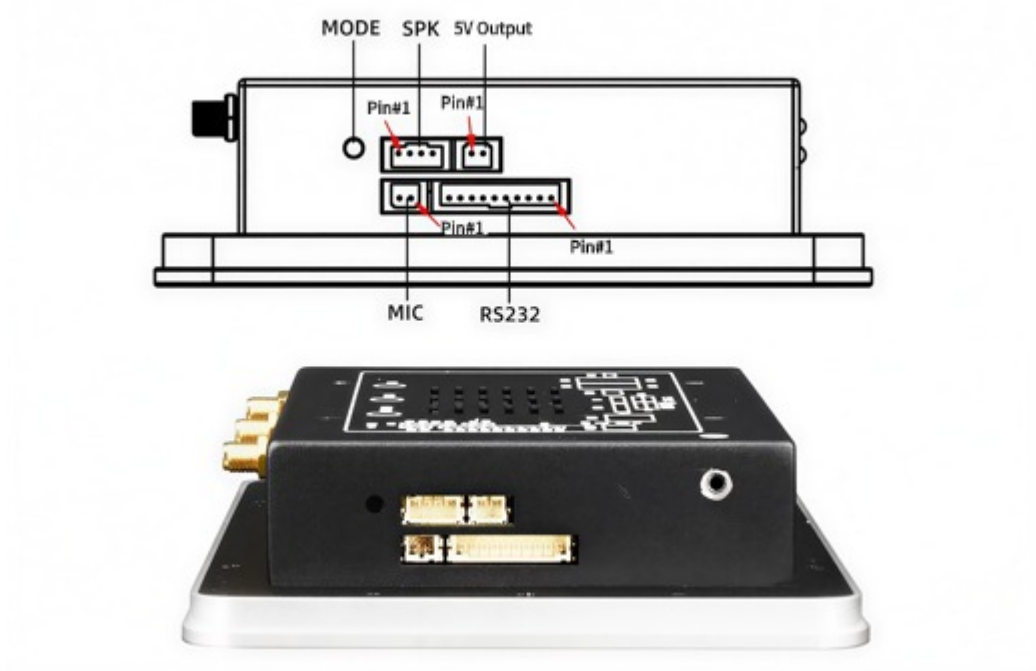
Front Side



Edge Side



Bottom Side



◆ RS232_Pin Definition

No.	Pin Definition	Description	Device Node
1	GND	GND	
2	T4	RS232_4	/dev/ttyS4
3	R4		
4	T3	RS232_3	/dev/ttyS3
5	R3		
6	GND	GND	
7	T2	RS232_2	/dev/ttyS2
8	R2		
9	T1	RS232_1	/dev/ttyS1
10	R1		

◆ RS485_Pin Definition

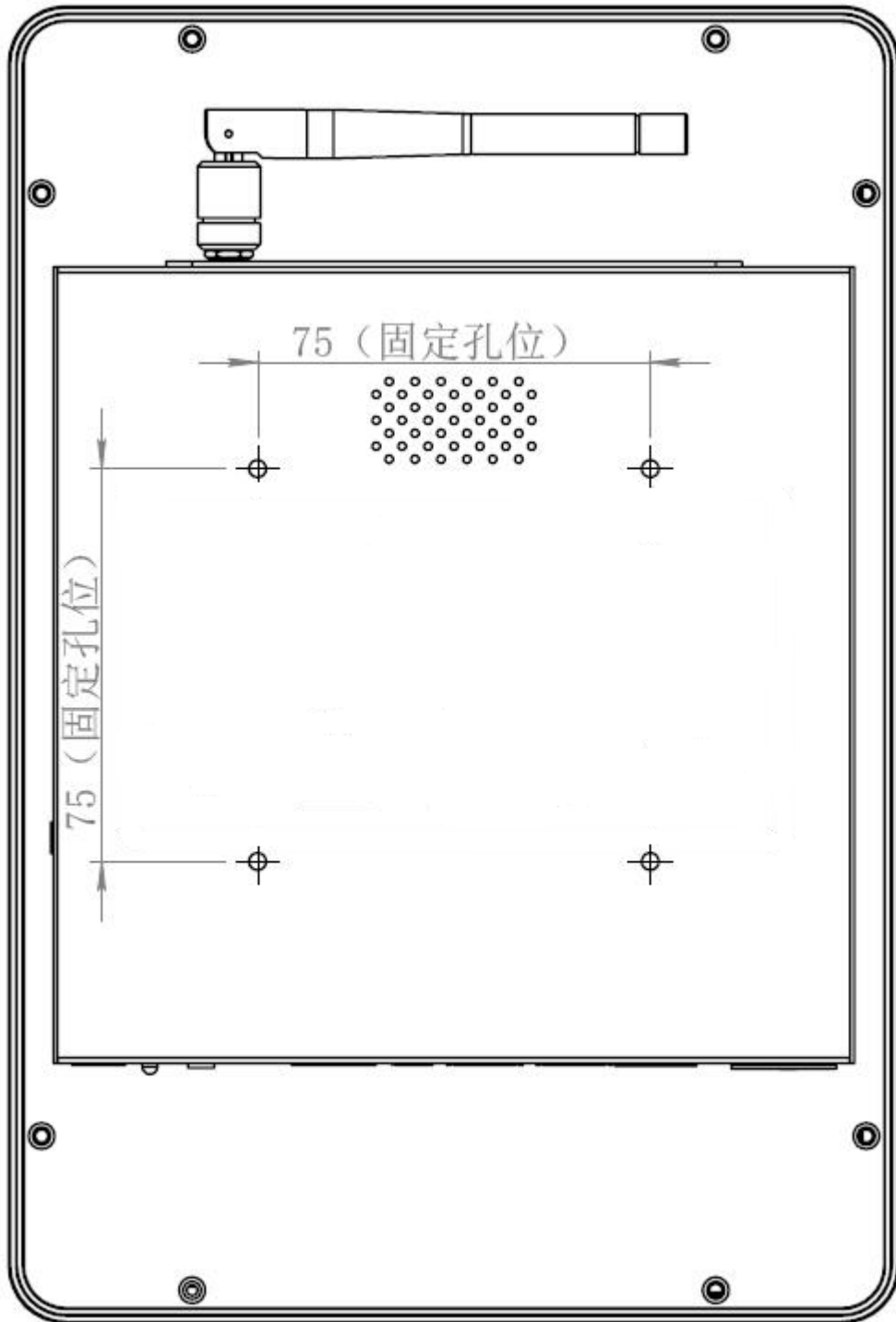
No.	Pin Definition	Description	Device Node
1	A1	RS485_1	/dev/ttyS3
2	B1		
3	A2	RS485_2	/dev/ttyS4
4	B2		

◆ GPIO_Pin Definition

No.	Pin Definition	Description	Device Node
1	GND	Public GND	
2	IO3	In./Out(Direct from CPPU)	/dev/IO3
3	IO2	In./Out(Direct from CPPU)	/dev/IO2
4	IO1	In./Out(Direct from CPPU)	/dev/IO1
5	IO0	In./Out(Direct from CPPU)	/dev/IO0

1.5 Installation Method

- Installation Position: VESA standard position:75mm*75mm



Transportation and Storage

2.1 Transportation

Packaged products can be transported to any place by any means of transportation, and should not be packed in open containers during long-distance transportation. In open cabins and compartments, they are not allowed to be stored in open warehouses during transit, and are not allowed to be stored with inflammable, explosive, and corrosive items are shipped on the same vehicle (or other means of transport), and the product is not allowed to withstand wetness and mechanical damage from rain, snow or liquid substances.

2.2 Storage

When storing the product, it should be stored in the original packing box. The ambient temperature of the warehouse where the product is stored is 0°C to 60°C. The relative humidity is 10%rh~90%rh. All kinds of harmful gases, flammable and explosive products and corrosive chemicals are prohibited, and there is no strong mechanical vibration, shock and strong magnetic field. The packing box should be padded at least 10cm from the ground, at least 50cm away from walls, heat sources, cold sources, window or air inlets.



Careful!!

Risk of damage to the device!

In this case, please make sure in cold weather conditions, be aware of extreme changes in temperature.

.In this case, please make sure that no water droplets (condensation) form on or inside the device. If condensation forms on the device, remove at least wait 12 hours before plugging in the device

2.3 Unpacking and Inspection of Delivered Devices

Please note following points when unpacking the equipment:

- ◆ **Please do not dispose of the original package materials. Please keep the original packaging materials for re-transportation material use.**
- ◆ **This document is required for initial commissioning of the device and it is a part of the device.**
- ◆ **Inspect the delivered unit for any visible damage in transit.**
- ◆ **If there is any discrepancy includes the complete unit and accessories that you ordered separately or shipping damage, please contact customer service.**

Installation Instructions

3.1 Product Appearance



Frontside



Backside

3.2 Appearance & Installation Drawing

Device Dimension:



Application Area

It is widely used in smart cabinets, new retail, self-service terminals, smart factories, IoT gateways, food safety, smart medical, robotics, power equipment, smart agriculture and other industries.



Shipping List



No.	Item	Specification	Qty	Remark
1	7-inch Tablet	QYP070C1C2 tablet	1	With WIFI
2	Power Adapter	DC12V-3.3A power adapter	1	Cable length 2.6 m
3	WIFI Antenna	2.4g small folding WIFI antenna	1	Cable length:11CM
4	Screw	M4 * 10 (black) cross screw	4	
5	Certificate		1	
6	Packing Box		1	

Configuration Information

No.	Model No.	Function Description
1	QYP070C1C2-1N00	Wi-Fi
2	QYP070C1C2-1N10	Wi-Fi+CAT4 4G Module
3	QYP070C1C2-1N20	Wi-Fi+CAT1 4G Module
4	QYP070C1C2-1W20	Wi-Fi+CAT1 4GE Global communication module

Zhejiang Qiyang Intelligent Technology Co., Ltd.

Tel: 86-571-87858811 / 87858822

Fax: 86-571-89935912

Technical Support: 0571-87858811 ext.805

E-MAIL: supports@qiyangtech.com

Website: <http://www.qiytech.com> or <http://www.qiyangtech.com>

ADD: 3rd Floor, Building A, WSCG Building, NO.6 Xiyuan
8th Road, Sandun Town, Xihu District, Hangzhou City,
Zhejiang China

Postal Code: 310013